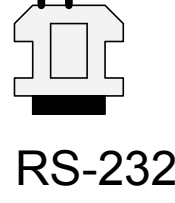
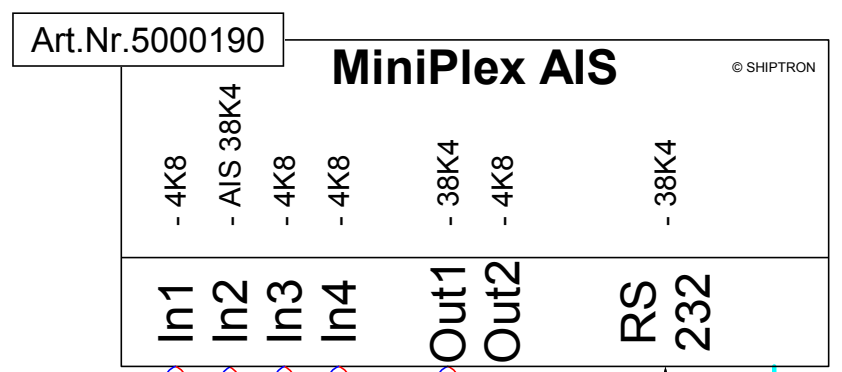


CTRX-Carbon
CTRX-Carbon+

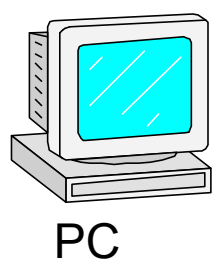


12 volt only

ORANGE
BLACK



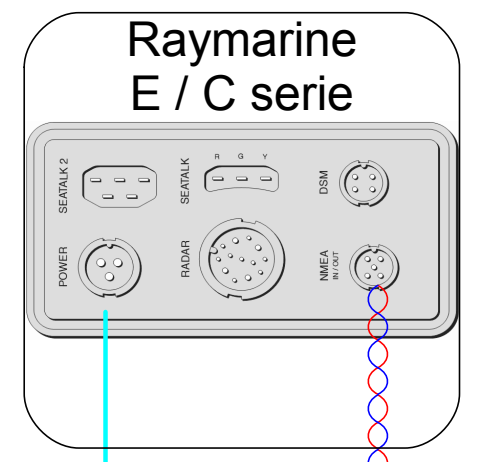
2^e GPS
Depth Log
AIRMAR
DST-800
Wind compass
AIRMAR
PB-200



PC

12-24 volt

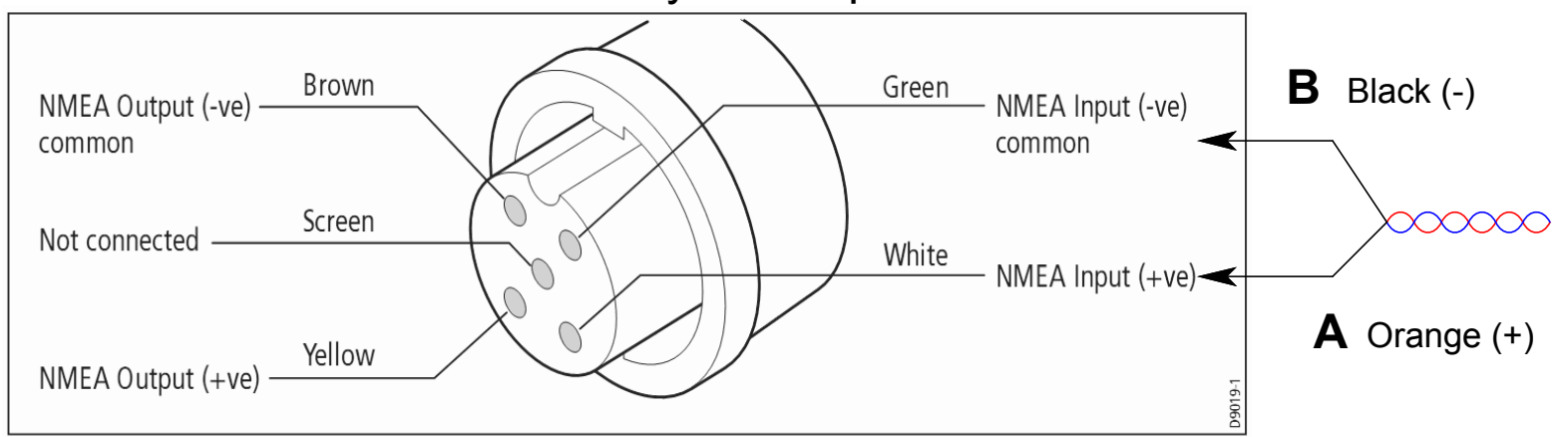
12-24 volt



NMEA-input
38400 baud

Note:
AIS input at miniplex-AIS
only at input 2.
No configuration needed.

NMEA cable at Raymarine plotter



NMEA from Miniplex-AIS
or AIS-ctrx at 38K4 baud

SHIPTRON
Marine Communication Specialists

De Dolfijn 24
1601 MG
Holland

Tel: +31(0) 228-317437
info@shiptron.nl
WWW.SHIPTRON.NL

title: CTRX <> RayMarine	
file: CTRX+Miniplex+Raymarine.flo	
date: 15-4-2011	sheet: 1
rev: JB	